



VESSEL NAME	BUILT	IMO NO.	FLAG	VESSEL NAME	BUILT	IMO NO.	FLAG
HC JANA-ROSA	2009	9509243	ANTIGUA & BARBUDA	HC JETTE-MARIT	2009	9509255	ANTIGUA & BARBUDA

GENERAL INFORMATION

TYPE	SINGLEDECKER / BULKCARRIER
CLASS	RINA

TONNAGE

DWT	22,107 MT
GT	14,909
NT	7,874

MAIN DATA

LOA	159.90 M
BEAM	24.00 M
SUMMER DRAFT	9.80 M
MAX SPEED	ABOUT 13.5 KNOTS

HOLDS / HATCHES

NUMBER	5 HOLDS / 5 HATCHES
HATCH DIMENSIONS	
HATCH NO. 1:	13.5 M X 16 M
HATCH NO. 2:	14.2 M X 16 M
HATCH NO. 3:	17.2 M X 16 M
HATCH NO. 4 :	13.7 M X 16 M
HATCH NO. 5 :	18.7 M X 16 M

FLOOR SPACE

UNDER DECK	2,104 SQM
ON DECK	1,224 SQM
TOTAL	3,328 SQM

CARGO CAPACITY

TOTAL GRAIN CAPACITY	
HOLD 1:	4,600 CBM
HOLD 2:	5,700 CBM
HOLD 3:	6,600 CBM
HOLD 4:	5,400 CBM
HOLD 5:	6,500 CBM
TOTAL:	28,800 CBM

DECK STRENGTHS

TANKTOP	20 MT / SQM
HATCHCOVER	1.20 MT / SQM

CARGO HANDLING GEAR

CRANES	3 X 30 MT (STARBOARD)
GRABS	EQUIPPED WITH 3 EL-HYDRAULIC GRABS

SPECIAL EQUIPMENT/FEATURE

GRAIN FITTED	YES
IMO FITTED	YES
CO2 FITTED	YES
HOLD VENTILATION	6 CHANGES/HOUR
BOWTHRUSTER	480 KW

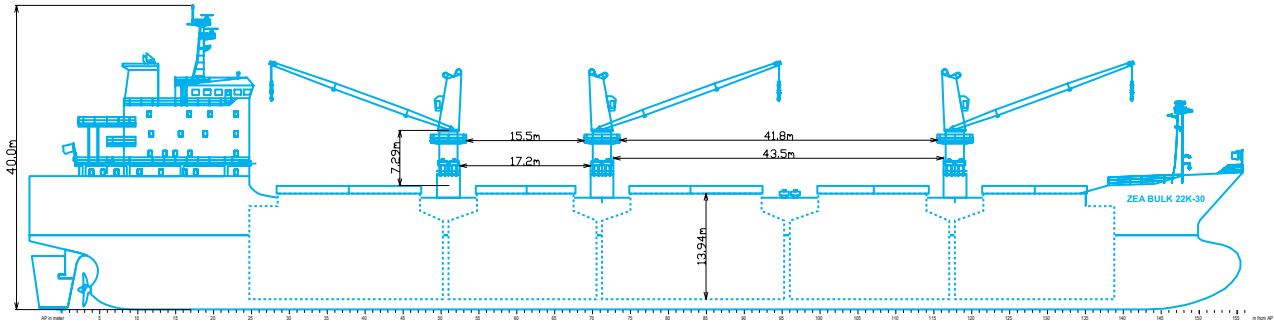
All above details are given in good faith but without guarantee. This description may not be used as basis for time charter parties or booking notes. If you would like to receive further information please contact our sales team or send your request by email to tonnage@zeamarine.com.

ZEA BULK 22K-30

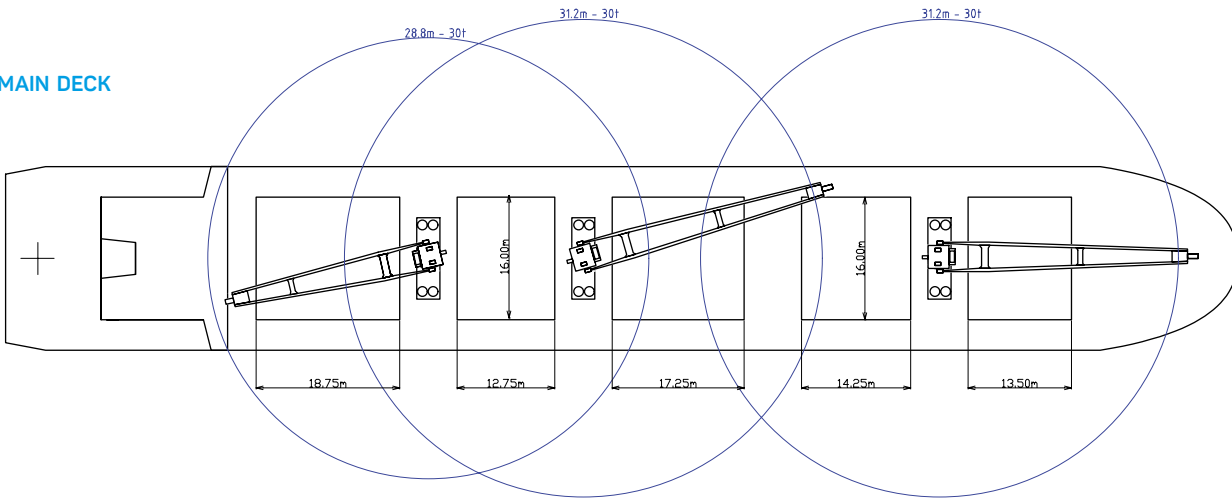
HC JANA-ROSA

HC JETTE-MARIT

SIDE VIEW



MAIN DECK



TWEENDECK

