



VESSEL NAME	BUILT	IMO NO.	FLAG	VESSEL NAME	BUILT	IMO NO.	FLAG
VECTIS FALCON	2012	9594298	PORTUGAL	VECTIS EAGLE	2012	9594286	PORTUGAL
VECTIS HARRIER	2012	9594303	ISLE OF MAN	VECTIS OSPREY	2012	9594315	ISLE OF MAN

GENERAL INFORMATION

TYPE	BOX-HOLD MPP SINGLE/TWEEDECKER
CLASS	BUREAU VERITAS

TONNAGE

DWT	8,693 MT
GT	6,190
NT	2,619

MAIN DATA

LOA	109.92 M
BEAM	17.40 M
SUMMER DRAFT	7.93 M
MAX SPEED	ABOUT 11 KNOTS

HOLDS / HATCHES

NUMBER	1 HOLD / 1 HATCH
HATCH DIMENSIONS	
HATCH NO. 1:	76.30 X 13.80/8.28 M

CARGO CAPACITY

TOTAL CAPACITY	10,688 CBM
	377,400 CBFT

FLOOR SPACE

UNDER DECK	1,895 SQM
ON DECK	1,328 SQM
TOTAL	3,223 SQM

DECK STRENGTHS

TANKTOP	18 MT / SQM
TWEEDECK	3.5 MT / SQM
HATCHCOVER	2.5 MT / SQM

CONTAINER CAPACITY

IN HOLD	204 TEU
ON DECK	173 TEU
TOTAL (NOMINAL)	377 TEU

CARGO HANDLING GEAR

CRANES	2 X 80 MT (STARBOARD)
COMBINED LIFT CAPACITY	160 MT

SPECIAL EQUIPMENT/FEATURE

HIGHEST ICECLASS	YES
CO2 FITTED	YES
BOWTHRUSTER	400 KW

All above details are given in good faith but without guarantee. This description may not be used as basis for time charter parties or booking notes. If you would like to receive further information please contact our sales team or send your request by email to tonnage@zeamarine.com.

ZEA 8K-160

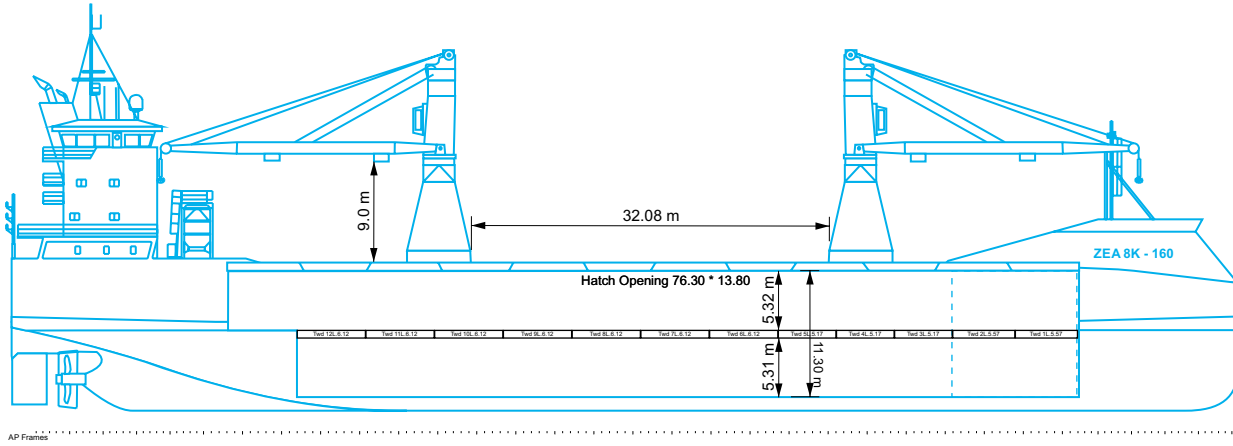
VECTIS FALCON

VECTIS EAGLE

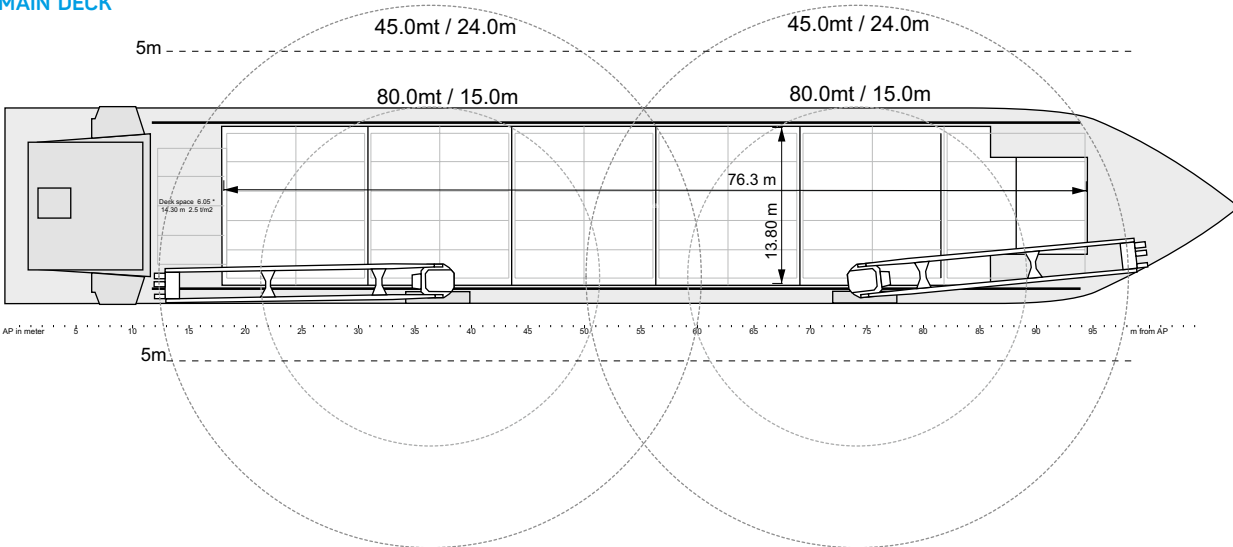
VECTIS HARRIER

VECTIS OSPREY

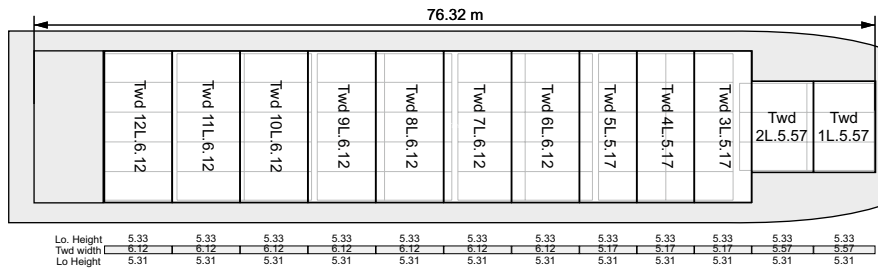
SIDE VIEW



MAIN DECK



TWEENDECK



HOLDS & DOUBLE BOTTOM

