



VESSEL NAME	BUILT	IMO NO.	FLAG	VESSEL NAME	BUILT	IMO NO.	FLAG
ZEA ACE	1999	9193800	ANTIGUA & BARBUDA	ZEA AIM	1999	9204934	ANTIGUA & BARBUDA
ZEA AMA	1998	9193812	ANTIGUA & BARBUDA				

GENERAL INFORMATION

TYPE	BOX-HOLD MPP SINGLE/TWEEDECKER
CLASS	DNV GL

TONNAGE

DWT	6,265 MT
GT	4,251
NT	2,189

MAIN DATA

LOA	99.92 M
BEAM	17.00 M
SUMMER DRAFT	7.28 M
MAX SPEED	ABOUT 14 KNOTS (ZEA ACE) ABOUT 13.5 KNOTS (ZEA AIM, ZEA AMA)

HOLDS / HATCHES

NUMBER	1 HOLD / 1 HATCH
HATCH DIMENSIONS	
HATCH NO. 1:	58.10 X 14.00 M

FLOOR SPACE

UNDER DECK	1,510 SQM
ON DECK	1,076 SQM
TOTAL	2,586 SQM

CARGO CAPACITY

TOTAL CAPACITY	6,623 CBM BALE 7,268 CBM GRAIN
----------------	-----------------------------------

DECK STRENGTHS

TANKTOP	20 MT / SQM
TWEEDECK	2.5 MT / SQM
HATCHCOVER	1.7 MT / SQM

CONTAINER CAPACITY

IN HOLD	129 TEU
ON DECK	232 TEU (ZEA ACE, ZEA AIM) 231 (ZEA AMA)
TOTAL (NOMINAL)	361 TEU (ZEA ACE, ZEA AIM) 360 (ZEA AMA)
REEFER PLUGS	50 ON DECK (ZEA ACE) 40 ON DECK (ZEA AIM, ZEA AMA)

CARGO HANDLING GEAR

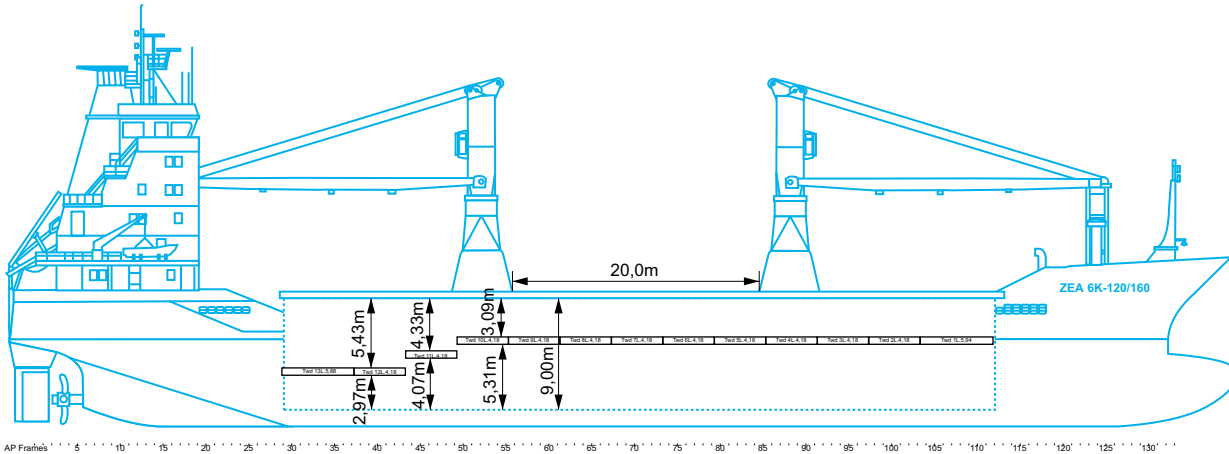
CRANES	2 X 60 MT (PORT SIDE)
COMBINED LIFT CAPACITY	160 MT (ZEA AIM) 120 MT (ZEA ACE, ZEA AMA)

SPECIAL EQUIPMENT/FEATURE

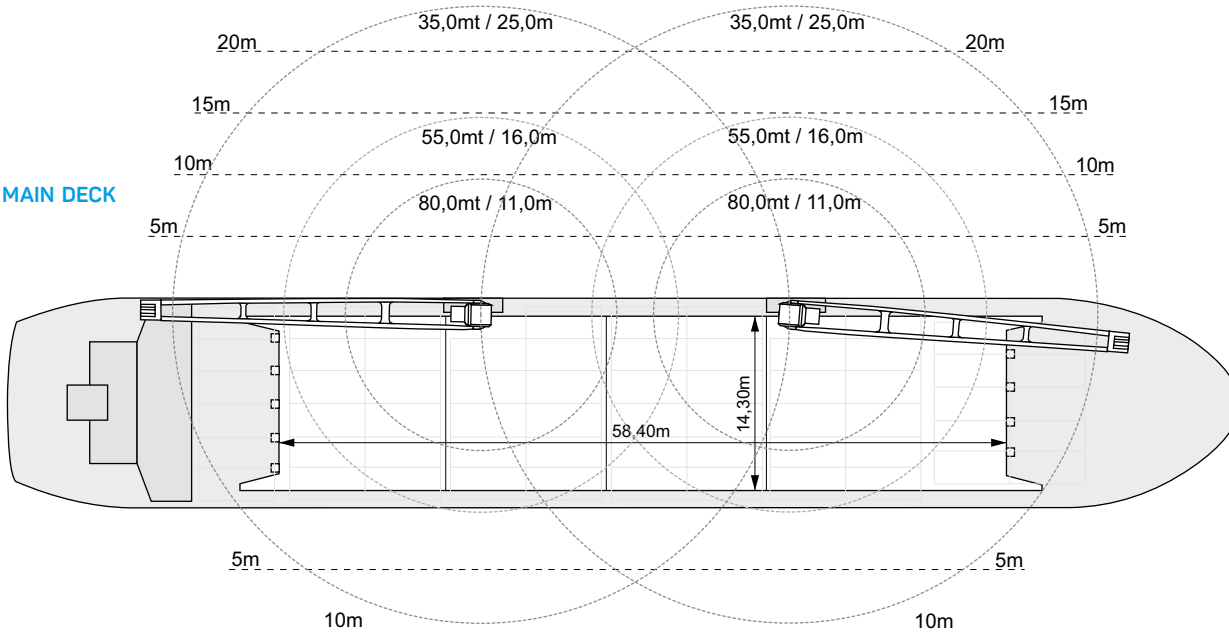
HIGHEST ICECLASS	YES
IMO FITTED	YES
CO2 FITTED	YES
BOWTHRUSTER	300 KW

All above details are given in good faith but without guarantee. This description may not be used as basis for time charter parties or booking notes. If you would like to receive further information please contact our sales team or send your request by email to tonnage@zeamarine.com.

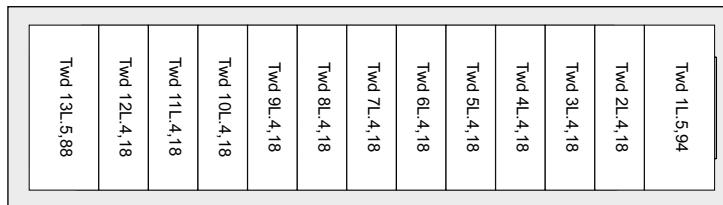
SIDE VIEW



MAIN DECK



TWEENDECK



AP in meter

m from AP

HOLDS & DOUBLE BOTTOM

