



VESSEL NAME	BUILT	IMO NO.	FLAG	VESSEL NAME	BUILT	IMO NO.	FLAG
ZEA HAMBURG	2004	9292022	MARSHALL ISLANDS	ZEA ANTWERP	2003	9253143	MARSHALL ISLANDS
ZEA JAKARTA	2003	9292010	MARSHALL ISLANDS	ZEA NEW ORLEANS	2003	9253155	MARSHALL ISLANDS
ZEA SEOUL	2003	9244556	MARSHALL ISLANDS	ZEA SHANGHAI	2003	9244544	MARSHALL ISLANDS
ZEA SINGAPORE	2003	9238820	MARSHALL ISLANDS	ZEA DALIAN	2002	9238818	MARSHALL ISLANDS
ZEA TOKYO	2002	9235995	MARSHALL ISLANDS				

GENERAL INFORMATION

TYPE	HEAVY-LIFT BOX-HOLD MPP TWEENDECKER
CLASS	DNV GL

TONNAGE

DWT	30,000 MT
GT	23,119
NT	9,752

MAIN DATA

LOA	192.90 M
BEAM	27.80 M
SUMMER DRAFT	11.20 M
MAX SPEED	ABOUT 18 KNOTS

HOLDS / HATCHES

NUMBER	5 HOLDS / 9 HATCHES
HATCH DIMENSIONS	
HATCH NO. 1	15.40 X 12.80 M + 20.40 X 12.80 M
HATCH NO. 2 (TWIN)	2 X (25.60 X 10.32 M)
HATCH NO. 3 (TWIN)	2 X (32.00 X 10.32 M)
HATCH NO. 4 (TWIN)	2 X (25.60 X 10.32 M)
HATCH NO. 5 (TWIN)	2 X (12.80 X 10.32 M)

CARGO CAPACITY

TOTAL CAPACITY	34,600 CBM
----------------	------------

FLOOR SPACE

UNDER DECK	6,490 SQM
ON DECK	3,000 SQM
TOTAL	9,490 SQM

DECK STRENGTHS

TANKTOP	
HOLD NO. 1 & 5	13.75 MT / SQM
HOLD NO. 2-4	22 MT / SQM
TWEENDECK	4 MT / SQM
HATCHCOVER	2.5 MT / SQM

CONTAINER CAPACITY

IN HOLD	832 TEU
ON DECK	1,056 TEU
TOTAL (NOMINAL)	1,888 TEU
REEFER SOCKETS	150 ON DECK

CARGO HANDLING GEAR

CRANES	2 X 320 MT + 1 X 45 MT (FORWARD) + 1 X 100 MT (AFT) 1 X 120 MT FORWARD (ZEA DALIAN)
COMBINED LIFT CAPACITY	640 MT

SPECIAL EQUIPMENT/FEATURE

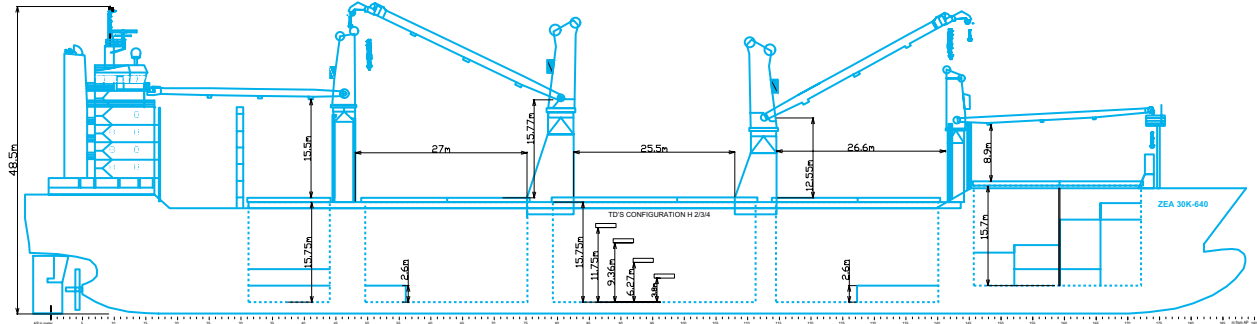
IMO FITTED	YES
BOWTHRUSTER	900 KW 975 KW (ZEA DALIAN)

All above details are given in good faith but without guarantee. This description may not be used as basis for time charter parties or booking notes. If you would like to receive further information please contact our sales team or send your request by email to tonnage@zeamarine.com.

ZEA 30K-640

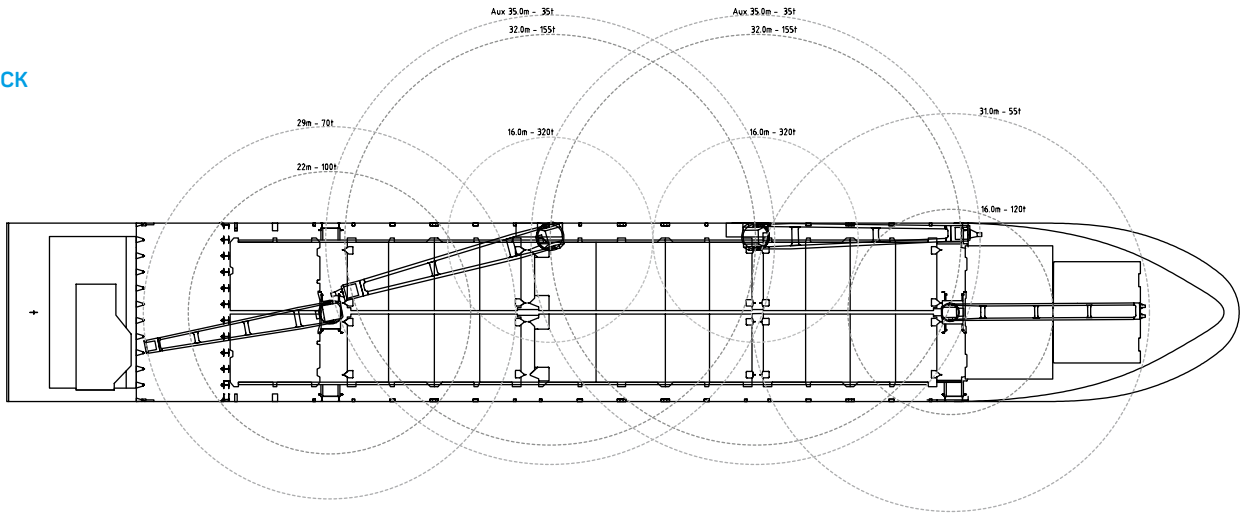
ZEA HAMBURG	ZEA ANTWERP
ZEA JAKARTA	ZEA NEW ORLEANS
ZEA SEOUL	ZEA SHANGHAI
ZEA SINGAPORE	ZEA TOKYO
ZEA DALIAN	

SIDE VIEW

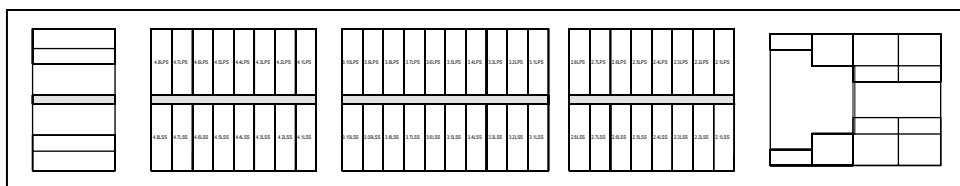


2 X 320 MT + 1 X 45 MT (FORWARD)
1 X 120 MT FORWARD (ZEA DALIAN)

MAIN DECK

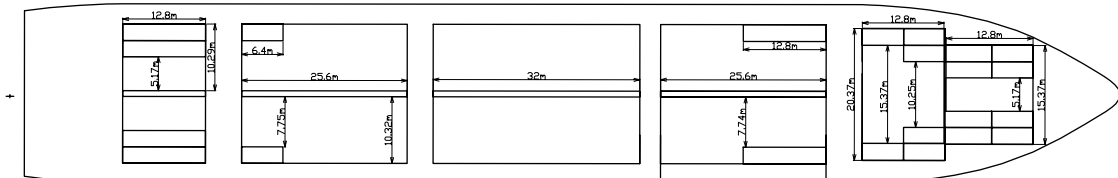


TWEENDECK



Top view at 8.67m ab Base line

HOLDS & DOUBLE BOTTOM



LH 1.8m ab Base line