



VESSEL NAME	BUILT	IMO NO.	FLAG	VESSEL NAME	BUILT	IMO NO.	FLAG
INDUSTRIAL GRACE	2010	9424560	LIBERIA	INDUSTRIAL GUIDE	2010	9424572	LIBERIA
ZEA GOLD	2010	9424558	MARSHALL ISLANDS				

GENERAL INFORMATION

TYPE	HEAVY-LIFT BOX-HOLD MPP TWEENDECKER
CLASS	DNV GL

TONNAGE

DWT	19,347 MT
GT	17,634
NT	6,617

MAIN DATA

LOA	168.68 M
BEAM	25.2 M
SUMMER DRAFT	9.50 M
MAX SPEED	ABOUT 15 KNOTS

HOLDS / HATCHES

NUMBER	2 HOLDS / 2 HATCHES
HATCH DIMENSIONS	
HATCH NO. 1:	22.94 M X 13.76 M
HATCH NO. 2:	82.40 M X 18.66 M

CARGO CAPACITY

TOTAL CAPACITY	26,337 CBM
	930,084 CBFT

FLOOR SPACE

UNDER DECK	3,571 SQM
ON DECK	1,956 SQM
TOTAL	5,527 SQM

DECK STRENGTHS

TANKTOP	18 MT / SQM
TWEENDECK	3.5 MT / SQM
HATCHCOVER	4 MT / SQM (HYDRAULIC) 5 MT / SQM (PONTOON)

CONTAINER CAPACITY

IN HOLD	424 TEU
ON DECK	488 TEU
TOTAL (NOMINAL)	912 TEU
REEFER SOCKETS	100 ON DECK

CARGO HANDLING GEAR

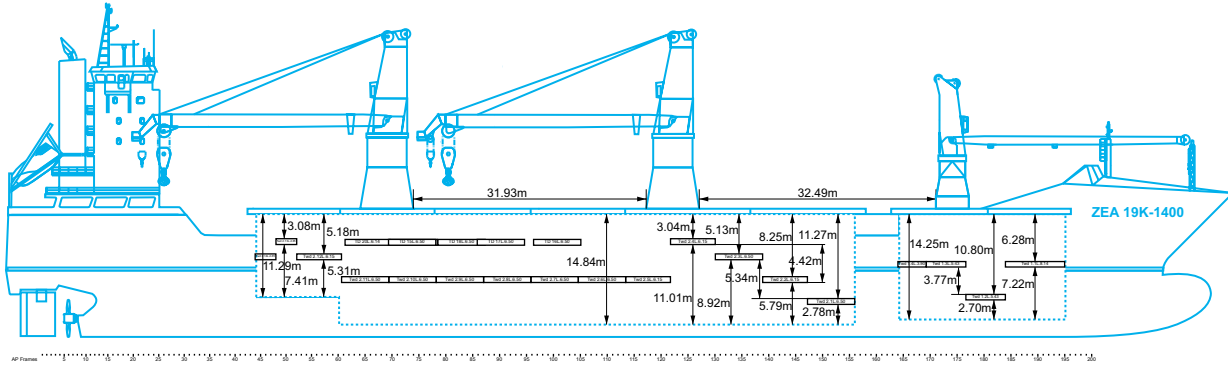
CRANES	2 X 700 MT & 1 X 180 MT
COMBINED LIFT CAPACITY	1400 MT

SPECIAL EQUIPMENT/FEATURE

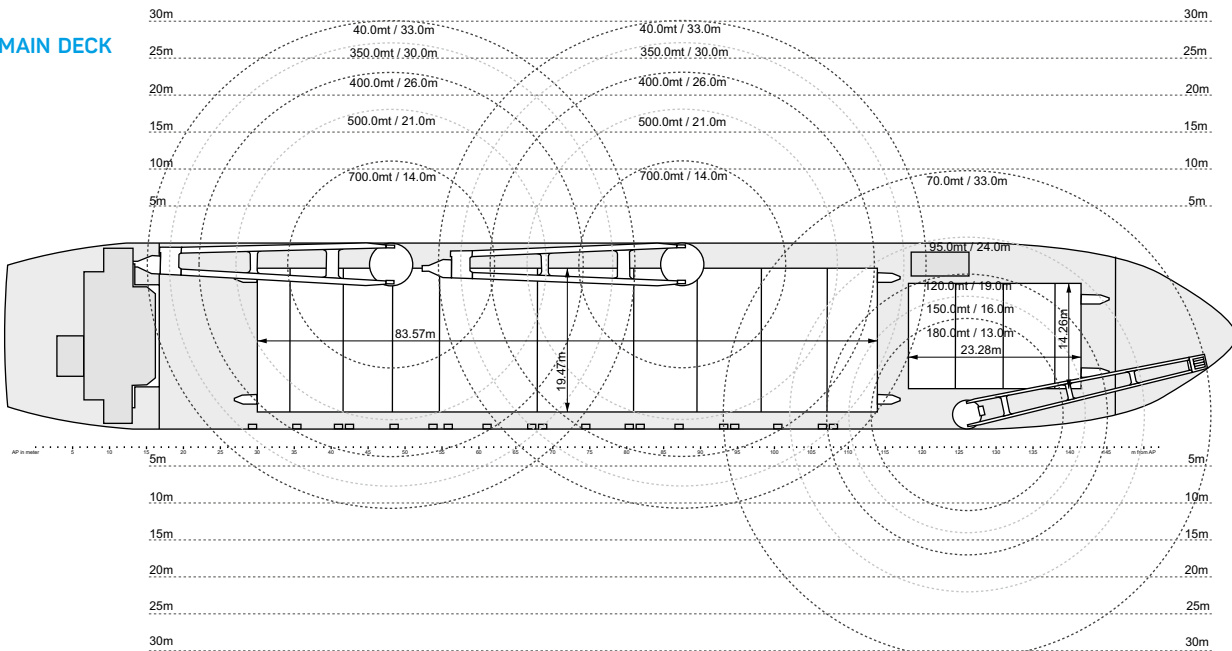
HIGHEST ICECLASS	YES
IMO FITTED	YES
CO2 FITTED	YES
BOWTHRUSTER	800 KW

All above details are given in good faith but without guarantee. This description may not be used as basis for time charter parties or booking notes. If you would like to receive further information please contact our sales team or send your request by email to tonnage@zeamarine.com.

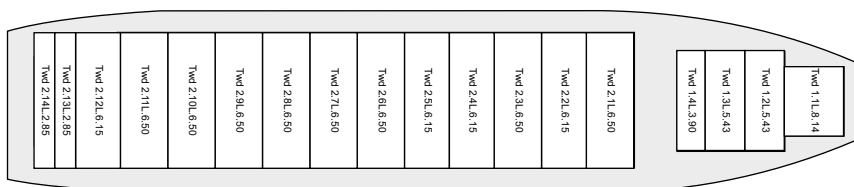
SIDE VIEW



MAIN DECK



TWEENDECK



HOLDS & DOUBLE BOTTOM

