



VESSEL NAME	BUILT	IMO NO.	FLAG
ZEA BREMEN	2006	9273791	LIBERIA

### GENERAL INFORMATION

TYPE	HEAVY-LIFT BOX-HOLD MPP TWEENDECKER
CLASS	DNV GL

### TONNAGE

DWT	11,925 MT
GT	10,899
NT	5,766

### MAIN DATA

LOA	156.76 M
BEAM	21.50 M
SUMMER DRAFT	7.80 M
MAX SPEED	ABOUT 15 KNOTS

### HOLDS / HATCHES

NUMBER	2 HOLDS / 2 HATCHES
HATCH DIMENSIONS	
HATCH NO. 1:	25.90 X 17.35/13.45 M
HATCH NO. 2:	78.00 X 17.35 M

### CARGO CAPACITY

TOTAL CAPACITY	16,907 CBM BALE
	18,993 CBM GRAIN

### FLOOR SPACE

UNDER DECK	3,170 SQM
ON DECK	1,734 SQM
TOTAL	4,904 SQM

### DECK STRENGTHS

TANKTOP	15 MT / SQM
TWEENDECK	3 MT / SQM
HATCHCOVER	3.5 MT / SQM

### CONTAINER CAPACITY

IN HOLD	336 TEU
ON DECK	339 TEU
TOTAL (NOMINAL)	675 TEU

### CARGO HANDLING GEAR

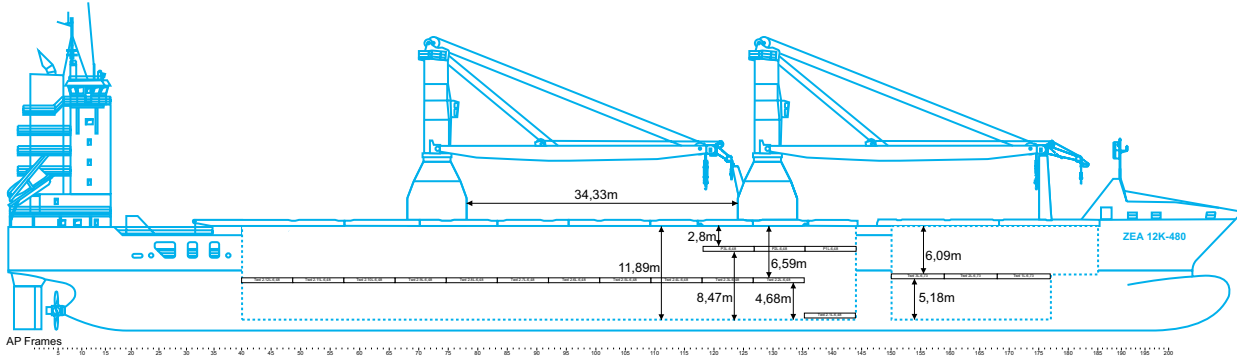
CRANES	2 X 240 MT (PORT SIDE)
COMBINED LIFT CAPACITY	480 MT

### SPECIAL EQUIPMENT/FEATURE

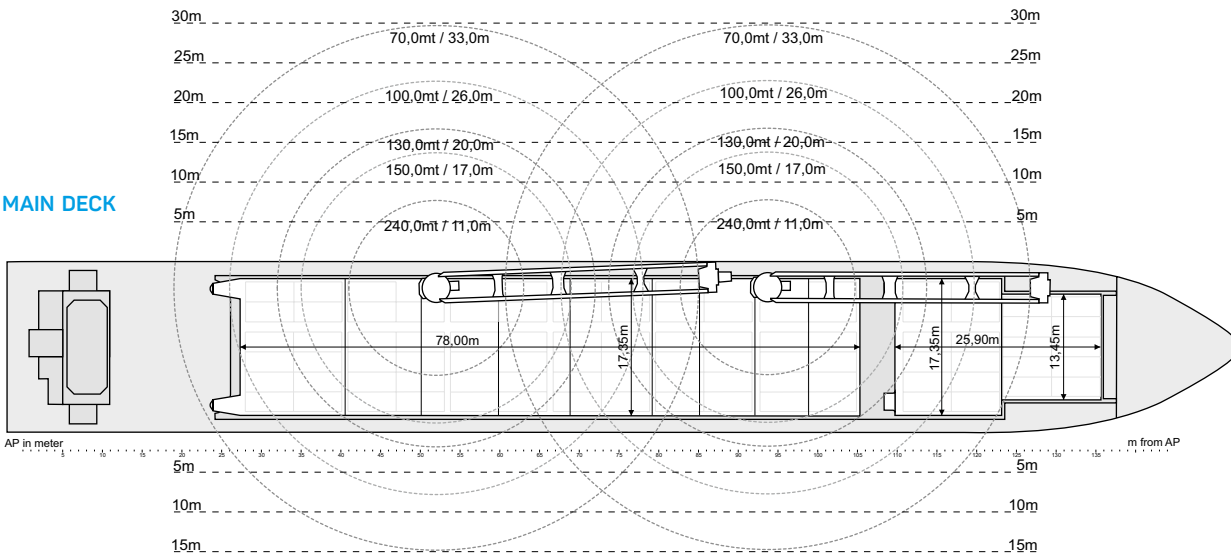
IMO FITTED	YES
CO2 FITTED	YES
BOWTHRUSTER	650 KW

All above details are given in good faith but without guarantee. This description may not be used as basis for time charter parties or booking notes. If you would like to receive further information please contact our sales team or send your request by email to [tonnage@zeamarine.com](mailto:tonnage@zeamarine.com).

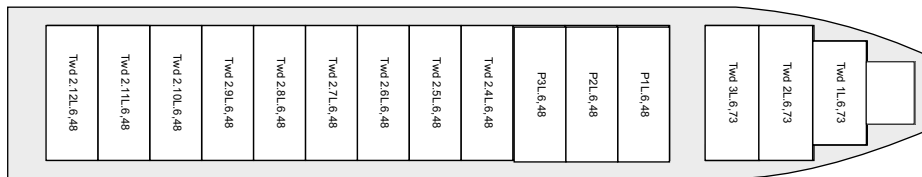
## SIDE VIEW



## MAIN DECK



## TWEENDECK



## HOLDS & DOUBLE BOTTOM

