



VESSEL NAME	BUILT	IMO NO.	FLAG
HC EVA-MARIE	2007	9369071	ANTIGUA & BARBUDA

### GENERAL INFORMATION

TYPE	BOX-HOLD MPP SINGLE/TWEEDECKER
CLASS	LLOYDS REGISTER

### TONNAGE

DWT	11,000 MT
GT	7,878
NT	3,909

### MAIN DATA

LOA	145.63 M
BEAM	18.25 M
SUMMER DRAFT	7.45 M
MAX SPEED	ABOUT 13 KNOTS

### HOLDS / HATCHES

NUMBER	2 HOLDS / 2 HATCHES
HATCH DIMENSIONS	
HATCH NO. 1:	38.96 X 13.15 M
HATCH NO. 2:	65.42 X 13.15 M

### CARGO CAPACITY

TOTAL CAPACITY	14,800 CBM BALE
	522,658 CBFT BALE

### FLOOR SPACE

UNDER DECK	2,519 SQM
ON DECK	1,428 SQM
TOTAL	3,947 SQM

### DECK STRENGTHS

TANKTOP	20 MT / SQM
TWEEDECK	3.5 MT / SQM
HATCHCOVER	1.75 MT / SQM

### CONTAINER CAPACITY

IN HOLD	302 TEU
ON DECK	369 TEU
TOTAL (NOMINAL)	671 TEU
REEFER RECEPTACLES	60 FOR 20' CONTAINERS ON DECK

### CARGO HANDLING GEAR

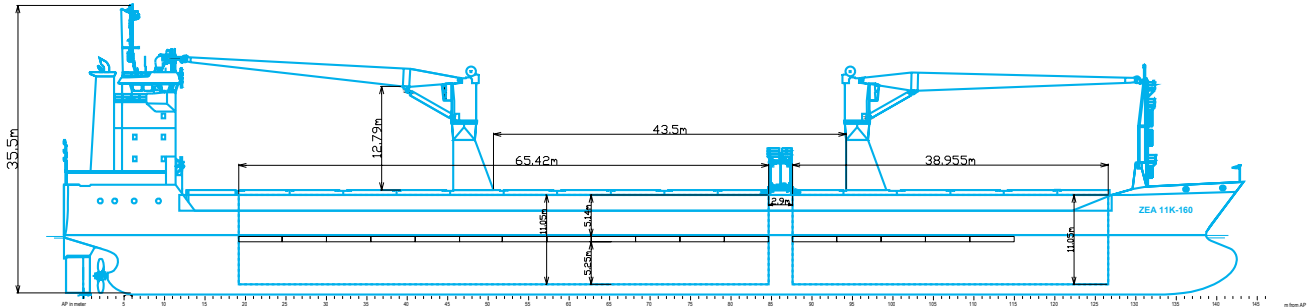
CRANES	2 X 80 MT (STARBOARD)
COMBINED LIFT CAPACITY	160 MT

### SPECIAL EQUIPMENT/FEATURE

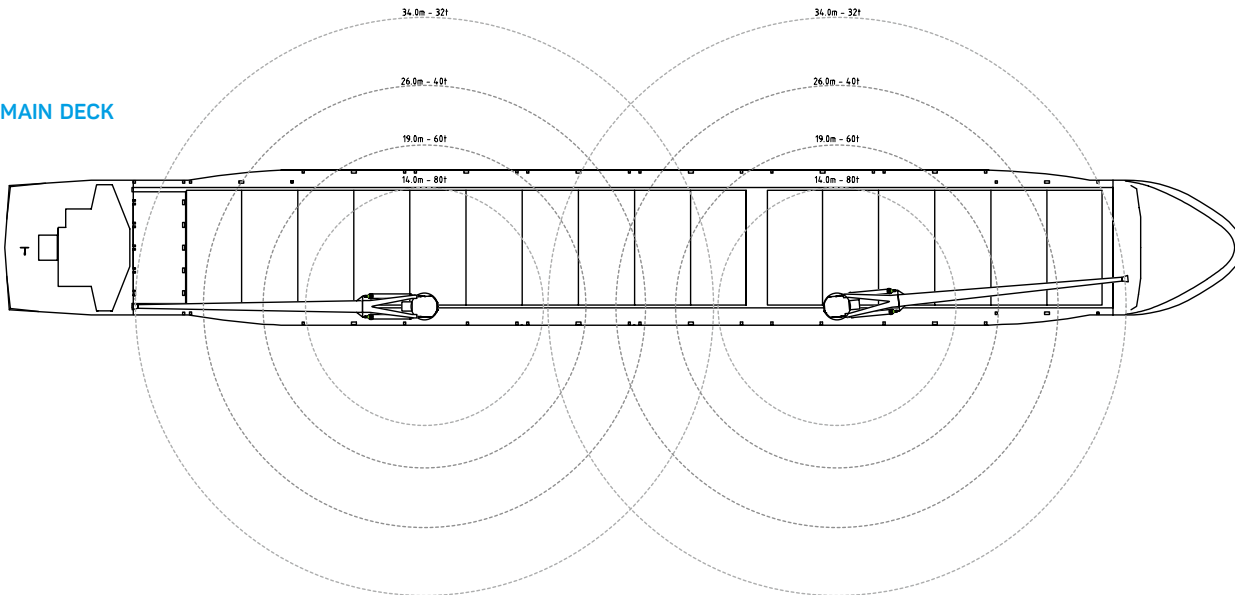
HIGHEST ICECLASS	YES
IMO FITTED	YES
CO2 FITTED	YES
BOWTHRUSTER	650 KW

All above details are given in good faith but without guarantee. This description may not be used as basis for time charter parties or booking notes. If you would like to receive further information please contact our sales team or send your request by email to [tonnage@zeamarine.com](mailto:tonnage@zeamarine.com).

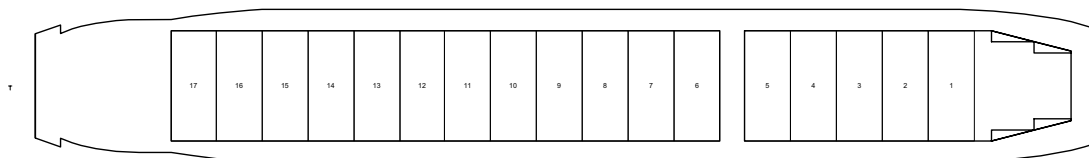
## SIDE VIEW



## MAIN DECK



## TWEENDECK



## HOLDS & DOUBLE BOTTOM

